

DALI2 & PUSH 2 in 1 dimmable LED Constant Voltage driver KV-DP2 series 100W
■ Features:

- Output constant Voltage (NFC regulation)
- Range: 100-277VAC
- Built-in active PFC function
- Efficiency up to 89%
- Protections: short circuit/ over load/ over temperature
- Cooling by free air convection; IP66 for indoor & outdoor
- Dimming curve: Logarithmic (default) and Linear
- Dimming protocol: DALI Protocol IEC62386; PUSH-DIM
- NFC function to adjust output voltage and set address
- Dimming range: 0-100%, LED start at 0.1% possible
- Suitable for intelligent LED lighting


■ Specification

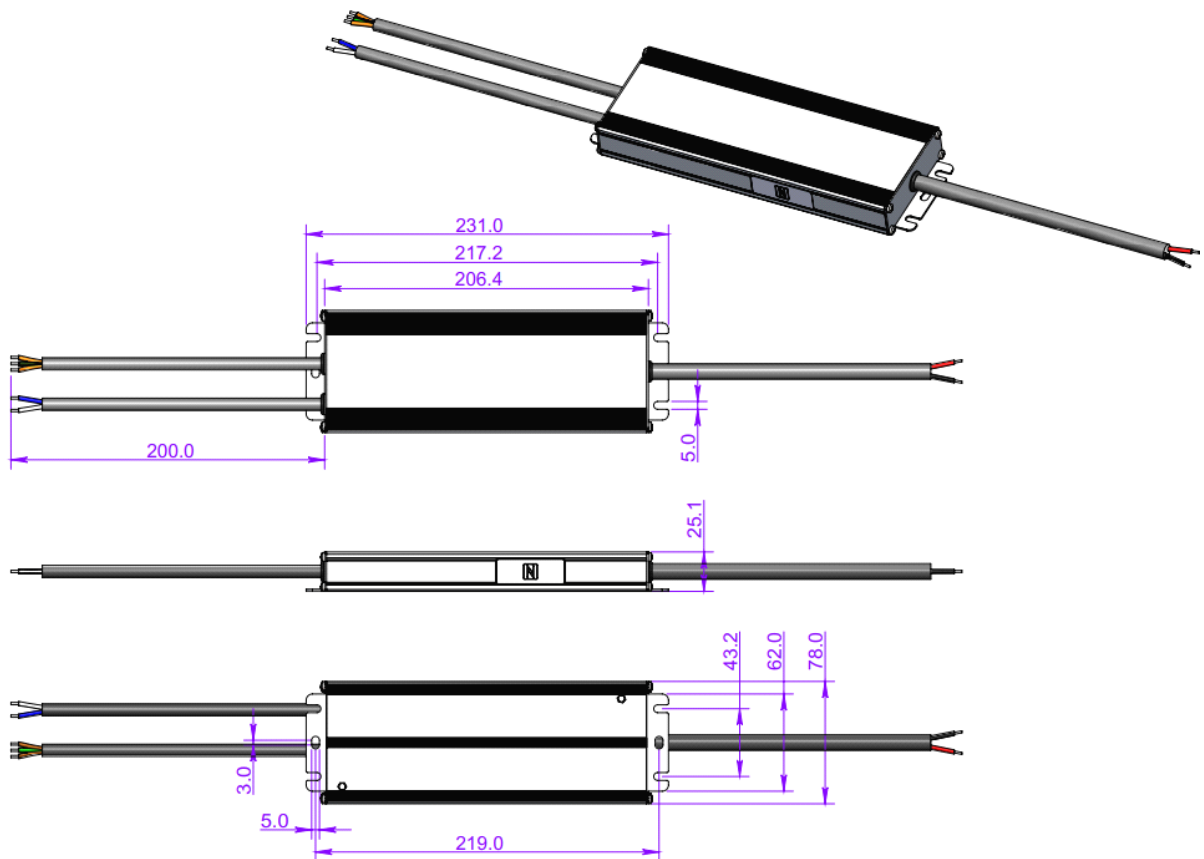
Model		KV-12100-DP2	KV-24100-DP2	KV-36100-DP2	KV-48100-DP2
Output	DC Voltage	12V (12-13.5V adjust by NFC)	24V (24-26V adjust by NFC)	36V (36-38V adjust by NFC)	48V (48-50V adjust by NFC)
	Voltage Tolerance	±0.2V			
	Rated current	8.34A	4.17A	2.78A	2.08A
	Rated power	100W			
	Load Regulation	±2%			
Input	Voltage Range	100-277VAC			
	Frequency Range	47 - 63Hz			
	Power Factor(Typ.)@ full load	PF≥0.98@120VAC PF≥0.96@230VAC PF≥0.95@277VAC (Full loading)			
	THD(Typ.)@ full load	≤10%@120VAC ; ≤10%@230VAC; ≤15%@277VAC			
	Efficiency(Typ.)@ full load	86%@120VAC; 89%@230VAC; 89%@277VAC;			
	AC Current(Max.)	1.3A	1.3A	1.3A	1.3A
	Inrush Current (Typ.)	8.4A,940us@50%Ipeak(120VAC);48.4A,370us@50%Ipeak(230VAC) 21.6A,960us@50%Ipeak (277VAC)			
Leakage current	<0.5mA				
Protection	Short Circuit	Hiccup mode, recover automatically after fault condition is removed			
	Over Load	≤120% ,hiccup mode, recover automatically after fault condition is removed			
	Over temperature	Ambient temp. over 55°C±10°C, output will be off; recovers automatically after temp. drops.			
Environ- ment	Working TEMP.	-40~+70°C (see below derating curve)			
	Working Humidity	20 - 95%RH,non-condensing			
	Storage TEM.,Humidity	-40 - +80°C,10 - 95%RH			
	TEMP.coefficient	±0.03%/°C(0 - 50°C)			
	Vibration	10~500Hz, 2G 10min./1 cycle,period for 60min. each along X,Y,Z axes			
Safety & EMC	Safety standards	EN61347-1 EN61347-2-13 (EU) & UL8750 (US)			
	Withstand voltage	I/P-O/P:3.75KVAC I/P-FG:1.5KVAC O/P-FG:0.5KVAC (EU); I/P-O/P:1.88KVAC (US)			
	Isolation resistance	I/P-O/P I/P-FG O/P-FG:100MΩ/500VDC/25°C/70%RH			
	EMC Emission	EN55015 EN61000-3-2 EN61000-3-3 (EU)≥50% Load & FCC Part 15 B (US)			
	EMC Immunity	EN61000-4-2,3,4,5,6 ,11, EN61547			
Others	Weight	0.83KG			

DALI2 & PUSH 2 in 1 dimmable LED Constant Voltage driver KV-DP2 series 100W

	Dimension	231*78*25.1mm (L*W*H)
	packing	355*300*170mm/20PCS/CTN G.W.:18KG/CTN
Notes	<ol style="list-style-type: none"> 1. All parameters NOT specially mentioned are measured at 120VAC/230VAC input , rated load and 25°C of ambient temperature. 2. Tolerance: includes set up tolerance, line regulation and load regulation . 3. The power supply is considered as a component that will be operated in combination with final Equipment. Since EMC performance will be affected by the complete installation, the final equipment manufactures must be-qualify EMC Directive on the complete installation again. 	

■ Mechanical Specification

DT100



Input & Output wiring

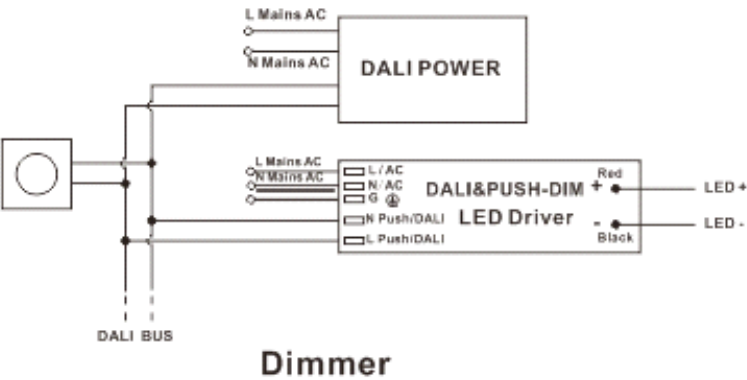
- ※Input Rubber cable 3*1.0mm² , the green/yellow cable connect with (FG) ,Brown with AC (L),Blue with AC(N)
- ※Output rubber cable 2*1.0mm² , Red is output (V+) Positive, Black is output (V-) negative. Connected to LED Lamps

Dimming wiring

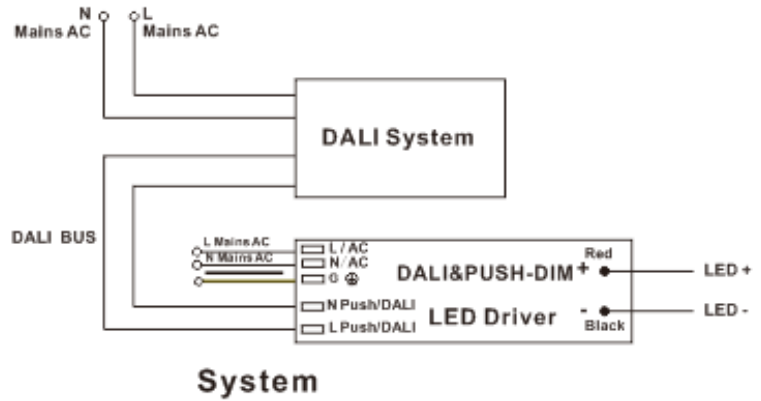
- ※Dimming Rubber cable 2*1.0mm² , Blue DA/N and White DA/L (No polar) connected to the DALI BUS when use DALI function .
- Blue (N) is connected to AC (N) while white (L) is connected to Push dim switch dimmer(L) when use Push function..
- ※Please make sure you connect these correctly otherwise your product will not function correctly and could be damaged.
- ※Note: Any other requests we can customize.

■ Dimming Operation

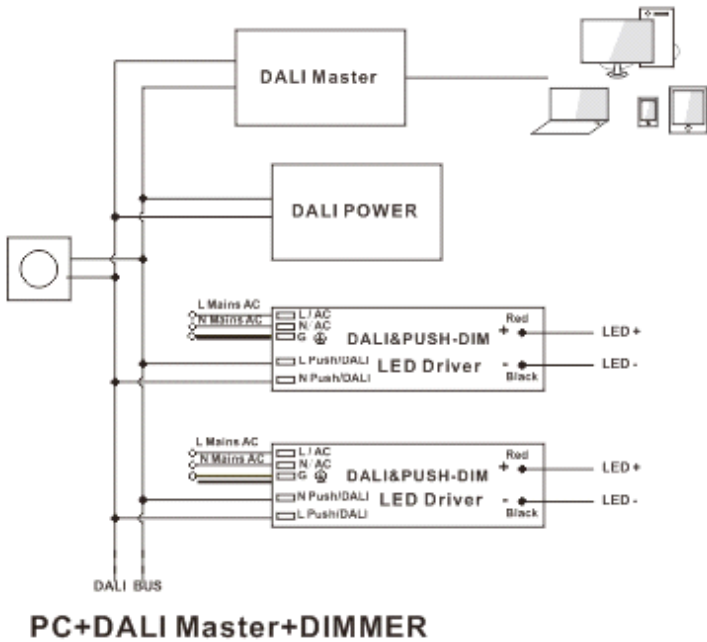
DALI Dimming Wiring Diagram1



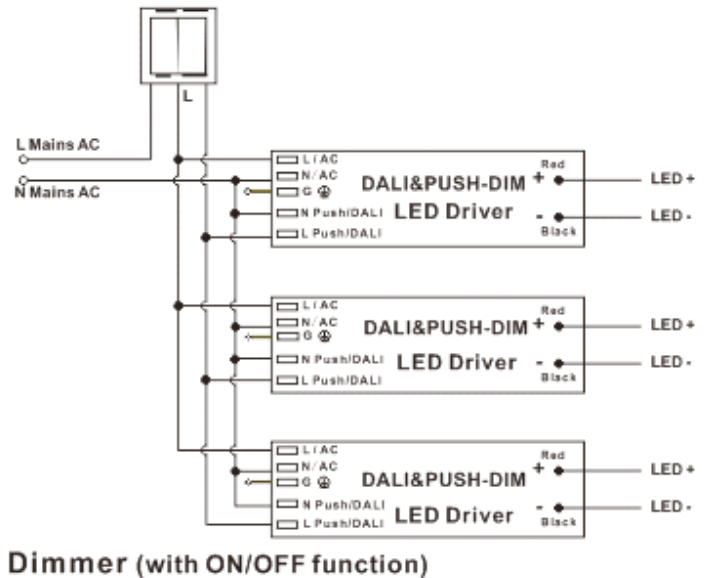
DALI Dimming Wiring Diagram2



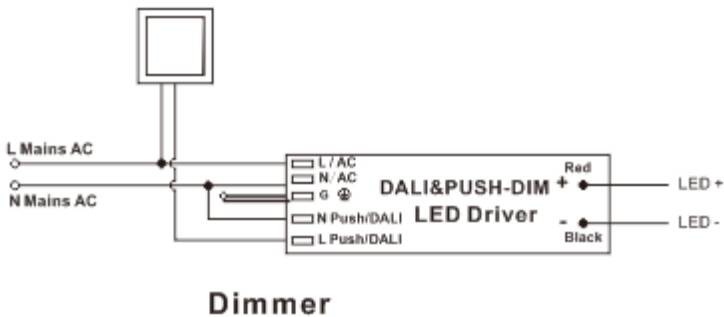
DALI Dimming Wiring Diagram3



Push-Dimming Wiring Diagram 1

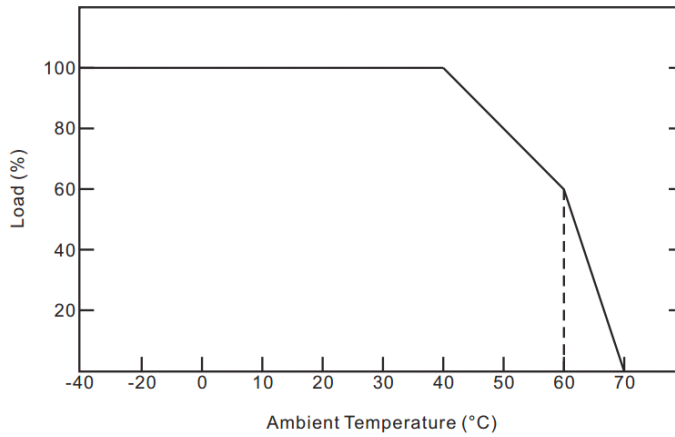


Push-Dimming Wiring Diagram2



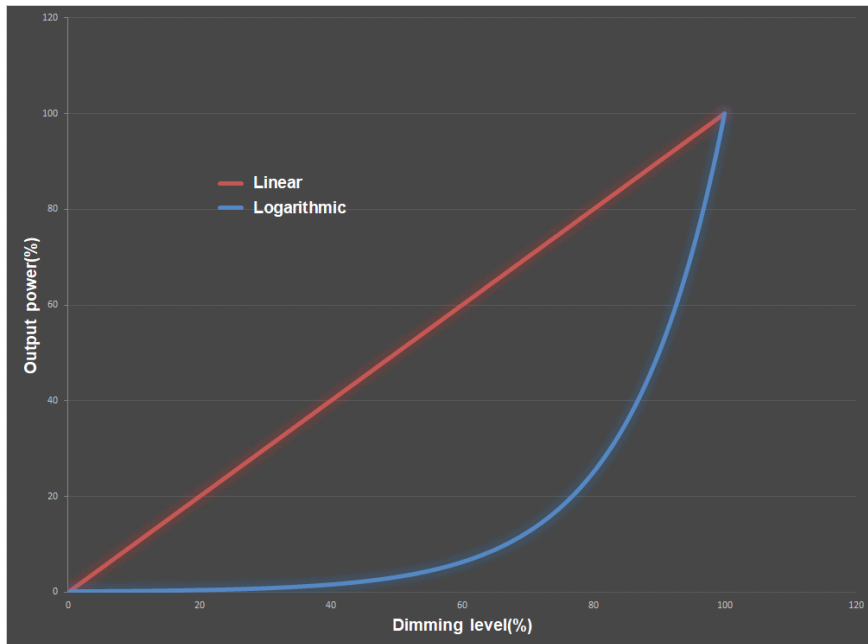
※Note: For DALI Dimming Wiring Diagram 3, please noted that only one DALI power is need in the DALI bus, so no extra DALI Power.

■ **Derating Curve**



※To extend their life, please refer to the Derating Curve and derate according to the temperature.

■ **Dimming Curve**



Note: Dimming curve: Logarithmic (default) and Linear

■ **Instruction:**

- 1) This driver should be installed by qualified and professional person;
 - 2) Please make sure the driver is installed with adequate ventilation around it to allow for heat dissipation.
 - 3) Ensure that wiring is correct before test in order to avoid light and power supply damage;
 - 4) If driver Cannot work normally, don't maintain privately;
- Have any question, please contact with Zhuhai Shengchang.

Please visit our website or contact us for more information! www.scpower.net.cn